

**WORLD RALLY CAR INTERACTIVE
VIDEO SIMULATOR HANDBOOK**

All rights reserved. No part of this publication may be reproduced, stored in a retrieval system or transmitted in any form, electronic, mechanical, photocopying, recording or other means without prior written permission from JOLLY ROGER (Amusement Rides) Ltd.

Jolly Roger (Amusement Rides) Ltd. Heath Road, Skegness Industrial Estate, Skegness, Lincolnshire, PE25 3SU, England.

Telephone: + 44 (0) 1754 896800
Fax: + 44 (0) 1754 610066
E-mail: sales@jolly-roger.co.uk

This handbook was prepared for Jolly Roger (Amusement Rides) Ltd
by
Lionbridge (UK) Ltd.,
Copthall Terrace,
Coventry,
United Kingdom
CV1 2FP

JOLLY ROGER AMUSEMENT RIDES

CONTENTS

	INTRODUCTION	
	WARNINGS AND CAUTIONS	
1.1	Health and safety - code of safe practice at fairs - Industry Standards (UNITED KINGDOM)	
	INSTALLATION	
2.1	Siting	
	OPERATION	
3.1	General	
	MAINTENANCE	
4.1	General	
4.2	Interactive timer/video control unit	
4.3	Ram drive control unit	
4.4	Coin acceptor (mechanical)	
4.5	Coin acceptor (electronic) MARS	
4.6	Electronic coin mechanism MARS - switch positions	
4.8	Stamar interactive timer/video Kiddie ride controller configuration instructions	
4.9	SW1- Sets the price of play value or credit programme options	
4.10	SW2 - Ride time	
4.11	SW3 - Additional ride features	
4.12	SW4 - Ram control options	
4.13	Level ride calibration sequence	
4.14	Fuses	
4.15	Volume adjustment	
4.16	Video monitor	
4.17	Bearings	
4.18	Body and other mouldings	
4.19	Removal of body shell	
4.20	Interactive ram units	
4.21	Daily checks	
	SPARE PARTS	
	Conditions of Business	
	Annex A Manufacturer's test certificate	
	Annex B EC Declaration of Conformity	

Fig.		Page
1	Video and ram Plug & Play controller wiring	10
2	Chassis assembly	20
3	Video coin collection assembly	22
4	Body shell assembly	24

JOLLY ROGER AMUSEMENT RIDES

INTRODUCTION

Thank you for purchasing your new Kiddie Ride from Jolly Roger (Amusement Rides) Limited and we trust it will give many years of trouble-free profitable service.

Whilst this booklet has been produced primarily with our United Kingdom and European customers in mind, it will certainly be of benefit to other users worldwide.

Reference is made to the United Kingdom Health and Safety at Work Act - Code of Safe Practice at Fairs (which specifically includes coin operated Children's Rides), the Industry Standard for the construction, operation and use of coin-operated Children's Rides, and the EC Declaration of Conformity (CE Mark).

The Rides comply with United Kingdom and European Community regulations.

The rides are designed for intermittent use and the maximum anticipated duty cycle is 30 operations per hour.

The guidance given in this publication is relevant to the safe operation of children's rides wherever they may be operated.

WARNINGS & CAUTIONS

The international safety sign is used throughout this Handbook where specific safety precautions are detailed. The sign is positioned so that the precautions are readily identifiable.

INTERNATIONAL SAFETY SIGN

WARNING



WARNINGS

Warnings call attention to instructions, which must be followed precisely to avoid injury or death.

CAUTIONS

Cautions call attention to instructions, which must be followed precisely to avoid damaging the equipment.

JOLLY ROGER AMUSEMENT RIDES

HEALTH AND SAFETY - CODE OF SAFE PRACTICE AT FAIRS - INDUSTRY STANDARDS

(UNITED KINGDOM)

1.1 Our equipment has been manufactured to the highest standard of construction and safety in order to conform to the H.S.E. Fairground and Amusement Parks, A Code of Safe Practice and the U.K. Health and Safety at Work Act 1974.

1.2 This machine must be earthed. (CONNECTED TO GROUND)

1.3 If a 13 Amp BS1363 plug is fitted then a 5 amp fuse should be fitted. (UK only)

1.4 If the ride is to be situated outdoors, the socket outlet supplying the power should be connected by a permanent weatherproof plug protected by a residual current circuit breaker (RCCB) or an Earth Leakage Circuit Breaker (ELCB) having a trip rating not exceeding 30 milliamps in 30 milliseconds.

1.5 In addition to our manufacturer's test and the daily checks every ride shall be subject to a Thorough Examination by an appointed person once every period of 14 months. (UK Health and Safety at Work Act - Code of Safe Practice at Fairs). The regulation applies in the UK only, however it is sound operating practice wherever a ride is operated.

1.6 The appointed person need not be independent, but should be at least 21 years old, registered under the Amusement Device Inspection Procedures Scheme (ADIPS) and be competent by such qualifications, knowledge, experience and supporting services to be able to make an assessment of the safety of the ride, including any associated equipment/parts e.g. electrical, hydraulic or pneumatic.

1.7 The appointed person should have the technical competence to recognise the significance of the effects of stresses, loadings and fatigue and also be competent to determine the extent of permissible wear.

1.8 The Thorough Examination is to be carried out by a registered body in accordance with the regulations laid down in the Health and Safety at Work Act 1974 (Fairgrounds and Amusements Parks-Guidance on Safe Practice, HSG 175). A Report of Inspection is to be completed after the Thorough Examination. (Applicable in UK only).

1.9 On completion of the Thorough Examination, a Declaration of Operational Compliance (DOC) certificate is to be issued which must be retained for a period of ten years and be available for inspection by the Health and Safety Inspectorate and/or the appropriate officer of the Environmental Health Department of a Local authority. (Applicable in UK only).

WARNING ALWAYS DISCONNECT THE MACHINE FROM THE POWER SUPPLY BEFORE CARRYING OUT ANY SERVICE OR REPAIR.



1.10 If considered necessary, further protection to the power supply may be afforded by conduit, trunking, or rubber protector strip with tapered edges and non-slip ribbed bases. Care is needed to avoid a tripping hazard.

1.11 The Kiddie Rides should be so sited that the length of cable between the ride and socket outlet is a minimum. For floor mounted socket outlets, the ride may be positioned so that there is virtually no exposed cable.

1.12 Galvanised steel braided armoured cable and flexible copper braided cable cannot be satisfactorily terminated in a 13 amp standard (BS 1363) plug. Such cables can be terminated in industrial type plugs BS 196 or BS 4343 or equivalent, but these require the special suitable sockets. (Applicable in UK only).

JOLLY ROGER AMUSEMENT RIDES

INSTALLATION

Siting

WARNING



IT IS NOT RECOMMENDED THAT THE RIDE BE SITED ON A PLINTH, PLATFORM OR ANY FORM OF MATTING. DOING THIS WILL INCREASE THE HEIGHT OF THE RIDE FROM THE GROUND AND MAY CAUSE INJURY FROM FALLING OR TRIPPING.

2.1 A common sense approach should be adopted when siting Kiddie Rides. The following items are an indication, but not exhaustive:

2.1.1 Position the Ride on a level surface.

2.1.2 Wherever practical make sure there is adequate clearance all round the Ride to minimise the risk of injury to the passengers or public. If possible, a 1 metre clearance around the ride is recommended.

2.1.3 **DO NOT** obstruct emergency exits.

2.1.4 **DO NOT** obstruct fire appliances, hydrants etc.

2.1.5 If sited outside:

The socket outlet supplying the power should be connected by a permanent weatherproof plug protected by a Residual Current Circuit Breaker (RCCB) or an Earth Leakage Circuit Breaker (ELCB) having a trip rating not exceeding 30 milliamps in 30 milliseconds.

DO NOT operate in adverse weather conditions.

NOTE

This ride is considered suitable for outdoor protected locations i.e. under a canopy, or cover and not in a position where the ride could be exposed to direct rain or snow, or other adverse weather conditions.

2.1.6 **DO NOT** locate the ride directly against the plug, which should remain accessible at all times

2.1.7 The ride is not suitable for installation or operation in an area where a water jet could be used

CAUTION

For safety reasons the electrical wiring is colour coded as follows:



2.1.8 For rides with 220-240 volt electrical supply, the wiring colour codes are:

Brown - live
Green/Yellow-earth
Blue - neutral.

2.1.9 For rides with 110-120 volt electrical supply, the wiring colour codes are:

Black - live
Green - earth
White - neutral.

WARNING



ALWAYS DISCONNECT THE MACHINE FROM THE POWER SUPPLY BEFORE CARRYING OUT ANY SERVICE OR REPAIR.

JOLLY ROGER AMUSEMENT RIDES

INSTALLATION

Site d'installation

ATTENTION  **IL N'EST PAS RECOMMANDE DE CONDUIRE SUR UNE PENTE, RAMPE OU AUTRE AFIN DE NE PAS ELEVER LA HAUTEUR DU VEHICULE ET NE PAS CAUSER DE BLESSURES EN RAISON DE RENVERSEMENT OU D'ACCROCHAGE.**

2.1 Faites appel à votre bon sens quand vous choisissez le site d'installation des manèges pour enfants. Les points suivants sont donnés à titre indicatif mais ne sont pas exhaustifs:

2.1.1 Placer le manège sur une surface nivelée.

2.1.2 Dès lors que les conditions pratiques le permettent, s'assurer qu'il y a suffisamment d'espace tout autour du manège pour minimiser le risque de blessures pouvant être causées aux passagers ou au public. Si c'est possible, il est conseillé de laisser 1 mètre d'espace tout autour du manège.

2.1.3 **NE PAS** obstruer les sorties de secours.

2.1.4 **NE PAS** obstruer les bouches d'incendie et la voie de passage des voitures de pompiers.

2.1.5 Si le manège est situé à l'extérieur:

La fiche d'alimentation secteur devrait être branchée avec une prise mâle résistant aux intempéries et protégée en permanence par un disjoncteur de courant résiduel ou un disjoncteur différentiel ayant un taux de déclenchement ne dépassant pas 30 milliampères en 30 milli-secondes.


NE PAS faire fonctionner cette machine lors d'intempéries.

NOTE

On considère que ce manège est adapté à des endroits en plein air abrités, par exemple sous un toit, ou un abri et placé de sorte que le manège ne soit pas exposé directement à la pluie ou à la neige ou à d'autres intempéries.

2.1.6 **NE PAS** installer le manège directement contre la prise; cette dernière devrait toujours être accessible.

2.1.7 Il n'est pas convenable d'installer ou de faire marcher le manège dans un endroit où l'on pourrait utiliser des jets d'eau.

AVERTISSEMENT  **Pour des raisons de sécurité, le circuit électrique est repéré par couleurs comme indiqué ci-dessous:**

2.1.8. Pour les manèges alimentés en 220-240 volt, le circuit électrique est le suivant:

Marron : phase
Vert/Jaune : terre
Bleu : neutre.

2.1.9 Pour les manèges alimentés en 110-120 volt, le circuit électrique est le suivant:

Noir : phase
Vert : terre
Blanc : neutre.

ATTENTION



TOUJOURS DEBRANCHER LA MACHINE DE L'ALIMENTATION SECTEUR AVANT D'EFFECTUER TOUTE REPARATION OU TOUTE VERIFICATION.

JOLLY ROGER AMUSEMENT RIDES

OPERATION

General

3.1 A coin-operated Kiddie Ride should not be used unless a D.O.C. has been provided, indicating that the device is safe to operate (UK Health and Safety at Work Act - Code of Safe Practice at Fairs). This regulation applies in the UK only.

JOLLY ROGER AMUSEMENT RIDES

MAINTENANCE

GENERAL

4.1 The rides do not require any periodic maintenance but, they should be checked regularly to make sure that they are in a safe condition for operation by the general public. In the unlikely event of the need to make adjustments or repairs to the machine, the following procedures are recommended.

WARNING ALWAYS DISCONNECT THE MACHINE FROM THE POWER SUPPLY BEFORE REMOVING ANY COVERS, CARRY OUT ANY SERVICING OR MAINTENANCE.



Interactive timer/video programmable control unit

4.2 The interactive timer/video programmable control unit, which operates at 12 volts, is located at the back of the coin acceptor compartment. To remove/refit the control unit proceed as follows:

- 4.2.1 Remove the coin acceptor (para 4.4 or 4.5).
- 4.2.2 Remove the two thumb nuts located at each end of the unit.
- 4.2.3 The control unit may now be removed by pulling it forwards to disconnect the plugs and sockets and withdrawing it through the coin acceptor aperture in the cash box assembly.
- 4.2.4 The mode of operation may now be altered by referring to the basic configuration, as printed on its enclosure, or by referring to the advanced configuration referred to at para 4.8.
- 4.2.5 Refit the unit by positioning it on the two locator bolts and gently pushing it back into place, ensuring that the plugs and sockets connect to each other.
- 4.2.6 Refit the two thumb nuts to ensure a good connection between the plugs and sockets. A poor connection could result in failure of the unit.

WARNING ALWAYS DISCONNECT THE MACHINE FROM THE POWER SUPPLY BEFORE REMOVING ANY COVERS, CARRY OUT ANY SERVICING OR MAINTENANCE.



Ram drive control unit

4.3 The ram drive control unit is located, on the chassis structure underneath the ride. To gain access to the control unit position the ride on its side. To remove/refit the ram drive control unit proceed as follows:

- 4.3.1 Position the ride on its side and locate the ram drive control unit installed across the chassis.
- 4.3.2 Remove the two nuts located at each side of the unit.
- 4.3.3 The ram drive control unit may now be removed by lifting it up to disconnect the plugs and sockets.
- 4.3.4 Refit the unit by connecting the plugs and sockets to each other and positioning it on the two locator bolts and gently lowering it back into position.

JOLLY ROGER AMUSEMENT RIDES

4.3.5 Refit the two nuts each side of the unit and secure. Make sure there is a good connection between the plugs and sockets. A poor connection could result in failure of the unit.

4.3.6 Position the ride in its normal upright position.

Coin acceptor (mechanical)

4.4 To remove/refit the coin acceptor proceed as follows:

4.4.1 Remove the coin acceptor by turning the lock situated on the faceplate - the coin acceptor can now be removed from the machine and the wires pulled off the coin acceptor microswitch if desired.

NOTE

Make sure that the wires are reconnected on the correct terminals (C and NO).

4.4.2 To remove litter from the coin acceptor, slide off the spring clip on the top of the mechanism and remove side plate, then remove any litter or obstruction.

4.4.3 Refit the coin acceptor in reverse order to removal, make sure that the pins on the main coin acceptor body locate in the dimples on the side plate.

4.4.4 Adjusting screws for coin diameter and thickness are also located on the side plate, these are factory set and should not normally require alteration.

Coin acceptor (electronic) MARS

4.5 To remove/refit the coin acceptor proceed as follows:

4.5.1 Remove the coin acceptor by turning the lock situated on the faceplate and disconnect the cable plug from the printed circuit board on the mechanism - the coin acceptor can now be removed from the machine.

4.5.2 To remove litter from the coin acceptor, pull the hinged side plate sideways and remove any litter or obstruction. Release hinged side plate.

4.5.3 Refit the coin acceptor in reverse order to removal, make sure that the cable plug is reconnected to the printed circuit board on the mechanism.

WARNING NEVER REMOVE OR REPLACE AN ELECTRONIC MECHANISM WITH THE POWER SUPPLY SWITCHED ON.



Electronic coin mechanism MARS - switch positions

4.6 To inhibit coins:

With machine switched on:

4.6.1 Set slide switches as follows, 1 = ON, 2 = ON, 3 = OFF, 4 = ON.

4.6.2 Press reject button within 20 seconds of setting slide switches.

4.6.3 Insert all coins to be inhibited.

4.6.4 Press reject button within 20 seconds of inserting coins. Inhibited coins should now be rejected.

JOLLY ROGER AMUSEMENT RIDES

4.7 To re-enable inhibited coins:

With machine switched on:

4.7.1 Set slide switches as follows, 1 = ON, 2 = ON, 3 = OFF, 4 = OFF.

4.7.2 Press reject button within 20 seconds of setting slide switches.

4.7.3 Insert all coins to be re-enabled.

4.7.4 Press reject button within 20 seconds of inserting coins. Previously inhibited coins should now be accepted.

NOTE

Mechanism must be powered up before changing switch positions. Switch positions must be moved prior to attempting either of the above.

JOLLY ROGER AMUSEMENT RIDES

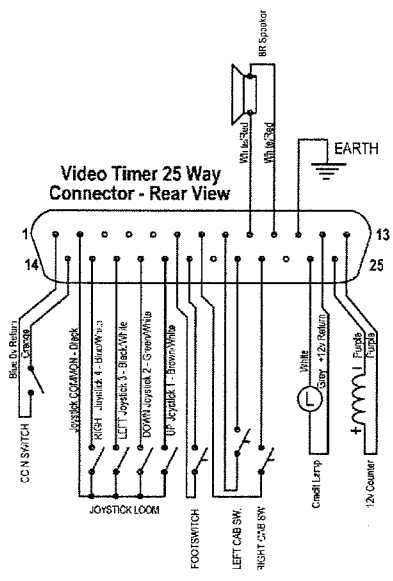
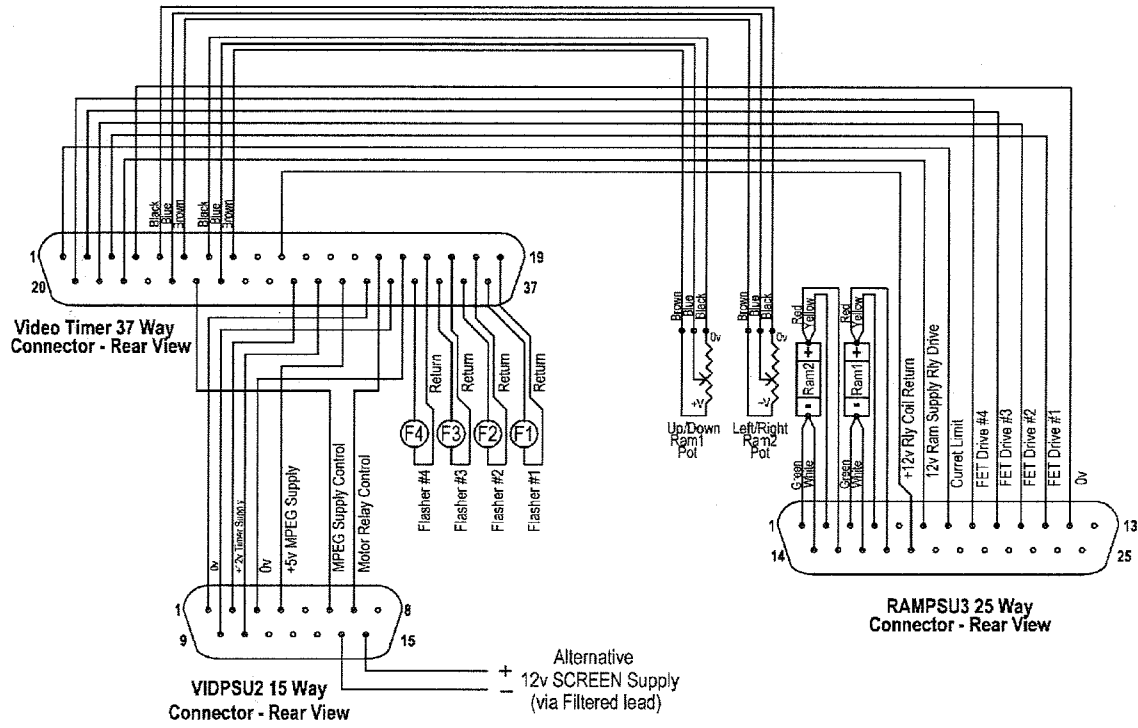


Fig 1 Video and ram Plug & Play controller wiring

JOLLY ROGER AMUSEMENT RIDES

Stamar interactive timer/video programmable kiddie ride controller configuration instructions

4.8 The “interactive timer/video programmable control unit has four externally accessible DIL switches, SW1, SW2, SW3 and SW4, which are used to select the most popular modes of operation.

NOTES

1. It is advisable to remove the control unit from the ride as this will assist viewing the switches and referring to these instructions. The control unit can be easily “unplugged” from the ride **AFTER POWER TO THE RIDE HAS BEEN SWITCHED OFF** and the two mounting attachments have been removed.

2. All alterations to these switches should only be made after power to the ride has been turned off as this will avoid any unintentional damage to the control unit and/or the ride.

SW1 - Sets the price of play value or credit program options.

4.9 The SW1 switch is used to set price at play value or credit program options.

NOTES

1. The setting for **either** “price of play” **or** “credits” on SW1 as shown below are selected using **SW3/S4** as shown in SW3 settings below.

i.e. SW3/S4 must be set to On if “Price of Play” options are required.

SW3/S4 must be set to Off if “Credit Programs” are required.

2. The **Price of Play** refers to multiples of the **Base Coinage** that the coin mechanism has been programmed to accept:

- UK Mechanism. The mechanism is programmed for a 10p base and gives play values from 10p (1 coin) to £1.50 (15 coin).
- USA Mechanism. The mechanism is programmed for a 25c base and gives play values from 25c (1 coin) to \$3.75 (15 coin).
- Euro Mechanism. The mechanism is programmed for a 10c base and gives play values from 10c (1 coin) to 1.50 (15 coin).

JOLLY ROGER AMUSEMENT RIDES

NOTE

In the following table the **Price of Play/Base Coinage Selection** - 15 Coin will be added and available to the the user from late 2004.

SW1

S1	S2	S3	S4	Price Of Play Selected	Or	Pre - Programmed Credit Options Available
on	off	off	off	1 Coin	Or	30 P 1 RIDE 50 P 2 RIDES £1 5 RIDES
off	on	off	off	2 Coin	Or	20 P 1 RIDE 50 P 3 RIDES
on	on	off	off	3 Coin	Or	40 P 1 RIDE £1 3 RIDES
off	off	on	off	4 Coin	Or	50 P 1 RIDE £1 3 RIDES £2 6 RIDES
on	off	on	off	5 Coin	Or	60 P 1 RIDE £1 2 RIDES £2 5 RIDES
off	on	on	off	6 Coin	Or	10 P 1 RIDE 30 P 4 RIDES
on	on	on	off	7 Coin	Or	£1 1 RIDE £2 3 RIDES
off	off	off	on	8 Coin	Or	£2 1 RIDE
on	off	off	on	9 Coin	Or	20 P 1 RIDE 40 P 3 RIDES
off	on	off	on	10 Coin	Or	10 P 1 RIDE 20 P 3 RIDES
on	on	off	on	11 Coin	Or	60p 1 RIDE £1 2 RIDES £2 4 RIDES
off	off	on	on	12 Coin	Or	70p 1 RIDE £1 2 RIDES £2 4 RIDES
on	off	on	on	13 Coin	Or	
off	on	on	on	14 Coin	Or	Free Play For Exhibition Or Test Use
on	on	on	on		Or	
off	off	off	off			

JOLLY ROGER AMUSEMENT RIDES

SW2 - Ride time

4.10 SW2 is used to set the ride time. The ride time can be set from 30 seconds to 120 seconds in 15 second increments or to run for as long as the main background soundtrack.

SW2

Ride Time	S1	S2	S3	S4
30 secs	off	off	off	OFF
45 secs	on	off	off	OFF
60 secs	off	on	off	OFF
75 secs	on	on	off	OFF
90 secs	off	off	on	OFF
105 secs	on	off	on	OFF
120 secs	off	on	on	OFF
Ride time set to soundtrack	on	on	on	OFF

NOTE

S4 is used for a diagnostic test sequence during manufacture and under normal operating conditions is not used and must be set to the **OFF** position.

SW3 - Additional ride features

4.11 SW3 selects additional ride features and should be set as shown in the following table:

SW3

	S1	S2	S3	S4
Prompt phrases On/Off	On/Off	x	x	x
Attract sounds On/Off	x	On/Off	x	x
Count no. of Rides	x	x	On	x
Count No. of Coins (coin mech. Base coin value)	x	x	Off	x
Select <i>Price of Play</i> options	x	x	x	On
Select <i>Credit Program</i> options	x	x	x	Off

JOLLY ROGER AMUSEMENT RIDES

SW 4 - Ram control options

WARNING TO PREVENT DAMAGE OCCURRING TO THE RIDE - SW4 MUST ONLY BE SET AS SHOWN IN THE FOLLOWING TABLE. FAILURE TO OBEY THIS WARNING WILL MAKE THE RIDE INOPERABLE.



4.12 SW4 selects additional ram control options and should be set as shown in the following table:

SW4

	S1	S2	S3	S4
Ride is fitted with standard AC motor	Off	x	x	x
Ride is fitted with DC ram actuators	On	x	x	x
Level ride calibration mode	x	x	x	On

Level Ride Calibration Sequence

4.13 The level ride calibration sequence can be used to fine tune the rides level position if new rams are fitted, a new interactive ram unit is fitted or if for any other reason the ride is not powering up in a level condition.

- 4.13.1 Turn the ride OFF.
- 4.13.2 Set SW4/S4 to the ON position.
- 4.13.3 Turn the ride ON.
- 4.13.4 Follow the on-screen instructions.
- 4.13.5 Turn the ride OFF.
- 4.13.6 Set SW4/S4 to the OFF position.
- 4.13.7 Turn the ride ON.

Fuses

4.14 All fuses are "anti-surge" rated, they are located in the front face of the timer/video control unit and the ram drive control unit. Never replace fuses with a higher value than recommended. The following tables shows the fuse values applicable to the interactive ride:

Fusing values - Timer/Video system

Timer/Flasher fuse	3.15A
Video fuse	1A
Screen fuse	3.15A
Main fuse - 240v	3.15A
Main fuse - 110v	6.3A

JOLLY ROGER AMUSEMENT RIDES

Fusing values - Ram drive system

Up/Down ram fuse	3.15A
Ram control fuse	1A
Left/Right ram fuse	3.15A
Main fuse - 240v	3.15A
Main fuse - 110v	6.3A

Volume adjustment

4.15 The volume adjuster is located on the front of the video/timer control unit. To gain access to the volume adjuster position the ride on its side and locate the front of the video/timer control unit installed across the chassis structure. Rotate the volume adjuster - clockwise or counter-clockwise to obtain the required volume.

Video monitor

4.16 The video monitor (protected by a toughened clear glass screen) is located in the windscreen framework facing the ride seat. To remove/refit the video monitor proceed as follows:

NOTE

When removing and refitting the video monitor take care when handling the toughened clear glass protective screen.

4.16.1 Remove the monitor attachment fittings securing the monitor to the windscreen framework.

4.16.2 Disconnect the power input and video input connectors from the monitor and withdraw the monitor from the windscreen framework.

4.16.3 Refit the monitor by connecting the video input and power input connectors to the monitor.

4.16.4 Make sure there is a good connection between the video input and power input connectors. A poor connection could result in failure of the monitor. Locate the monitor into the windscreen framework.

4.16.5 Refit the monitor attachment fittings and secure the monitor to the windscreen framework.

Bearings

4.17 All bearings are greased for life and should normally not be re-packed with grease. However, in certain circumstances the bearings may require lubrication. If this situation arises, apply grease sparingly.

Body and other mouldings

4.18 Clean with damp cloth rinsed out in soapy water, do not hose down or flood the machine. Alternatively, a proprietary household furniture cleaner may be used.

Removal of body shell

NOTE

Refer to Figure 5 in Spare Parts section for item numbers.

4.19 To remove the body shell

4.19.1 Remove the four bolts, (Fig 5, item 9) spring washers (Fig 5, item 10), and washers (Fig 5, item 11) situated under the body shell, which attach the body to the chassis.

JOLLY ROGER AMUSEMENT RIDES

- 4.19.2 Disconnect the electrical wiring underneath the body shell by undoing the plug and socket connector.
- 4.19.3 Remove body shell.

Interactive Ram Units

4.20 The two interactive ram units are "sealed for life units" and should not be tampered with. The ram units are installed to the ride chassis structure. No maintenance is necessary as the units are repaired by replacement. To replace the a ram unit proceed as follows:

WARNING ALWAYS DISCONNECT THE MACHINE FROM THE POWER SUPPLY BEFORE REMOVING ANY COVERS, CARRY OUT ANY SERVICING OR MAINTENANCE.



- 4.20.1 Disconnect the machine from the electrical power supply.
- 4.20.2 Gain access to the ram unit.
- 4.20.3 Disconnect the ram unit electrical connector.
- 4.20.4 Remove the nut, bolt and washer assemblies that secure the ram unit to the chassis.
- 4.20.5 Remove the ram unit from the ride.
- 4.20.6 Install the new ram unit in position and secure to the chassis with the nut, bolt and washer assemblies.
- 4.20.7 Connect the ram unit electrical connector.
- 4.20.8 Connect the electrical power and test the ride.
- 4.20.9 If necessary proceed with the ride level calibration sequence, Para 4.13.

Daily checks

4.21 A check of each coin-operated Kiddie Ride should, whenever reasonably practical, be carried out each day before it is made available for the public. The following checks are recommended:

- 4.21.1 Check that the mains plug is undamaged and securely attached to the mains cable.
- 4.21.2 Check that the mains cable is undamaged.
- 4.21.3 Check that there are no broken or damaged parts of the ride that may cause injury.
- 4.21.4 Check that all guards are in place thus preventing any access to the mechanism.
- 4.21.5 Apply pressure to the ride to make sure that it is firmly secured to the base stem and check that all advisory literature is in place.
- 4.21.6 Make sure the area around the ride is free from obstruction and that persons passing by are not in any danger.
- 4.21.7 The ride should be kept clean and free from any customised additions unless approved by the manufacturer.

4.22 If as a result of the above visual checks any doubt arises, then the company, supplier or person responsible for the ride should be notified immediately.

JOLLY ROGER AMUSEMENT RIDES

THIS PAGE NOT USED

JOLLY ROGER AMUSEMENT RIDES

SPARE PARTS

1. The machine serial number (if given) on the reference plate must always be quoted.
2. Quote the full part number and description as set out in the list.
3. State precisely how parts are to be despatched.
Home: By post, carrier or road transport.
Overseas: By sea freight, airmail or air freight.
4. Keep orders separate from other correspondence.
5. Foreign orders must be sent through our accredited agent, an established London House, or accompanied by a remittance.
6. Replacement parts which are not of genuine Jolly Roger supply, cannot be relied upon to be to the correct specification, material or workmanship. Jolly Roger therefore cannot be expected to extend their Warranty to Kiddies Rides which have been fitted with parts which Jolly Roger has not supplied.
7. Jolly Roger reserve the right to make changes or improvements in the construction or specification of their products at any time.

Conditions of Business

1. Particulars given in this list are subject to withdrawal and alteration without notice.
2. All quotations are subject to confirmation before acceptance of order.
3. All goods are supplied on the conditions that Jolly Roger shall not be liable for any direct or consequential damage arising from delay in delivery or from defective material, other than is covered by our usual form of guarantee.
4. Whilst every effort is made to ensure the accuracy of the particulars contained in this book, modifications and specification changes to the Kiddies Ride are on-going. These may affect the information specified. No responsibility is accepted for the incorrect supply of parts or any other consequence that may arise as a result of information in this book not being in accord with modifications or Kiddies Ride specification changes which are subsequent to the date of this book. Also, no responsibility is accepted for the incorrect supply of parts or any other consequence that may arise as a result of any misinterpretation of the information specified in this parts book.

JOLLY ROGER AMUSEMENT RIDES

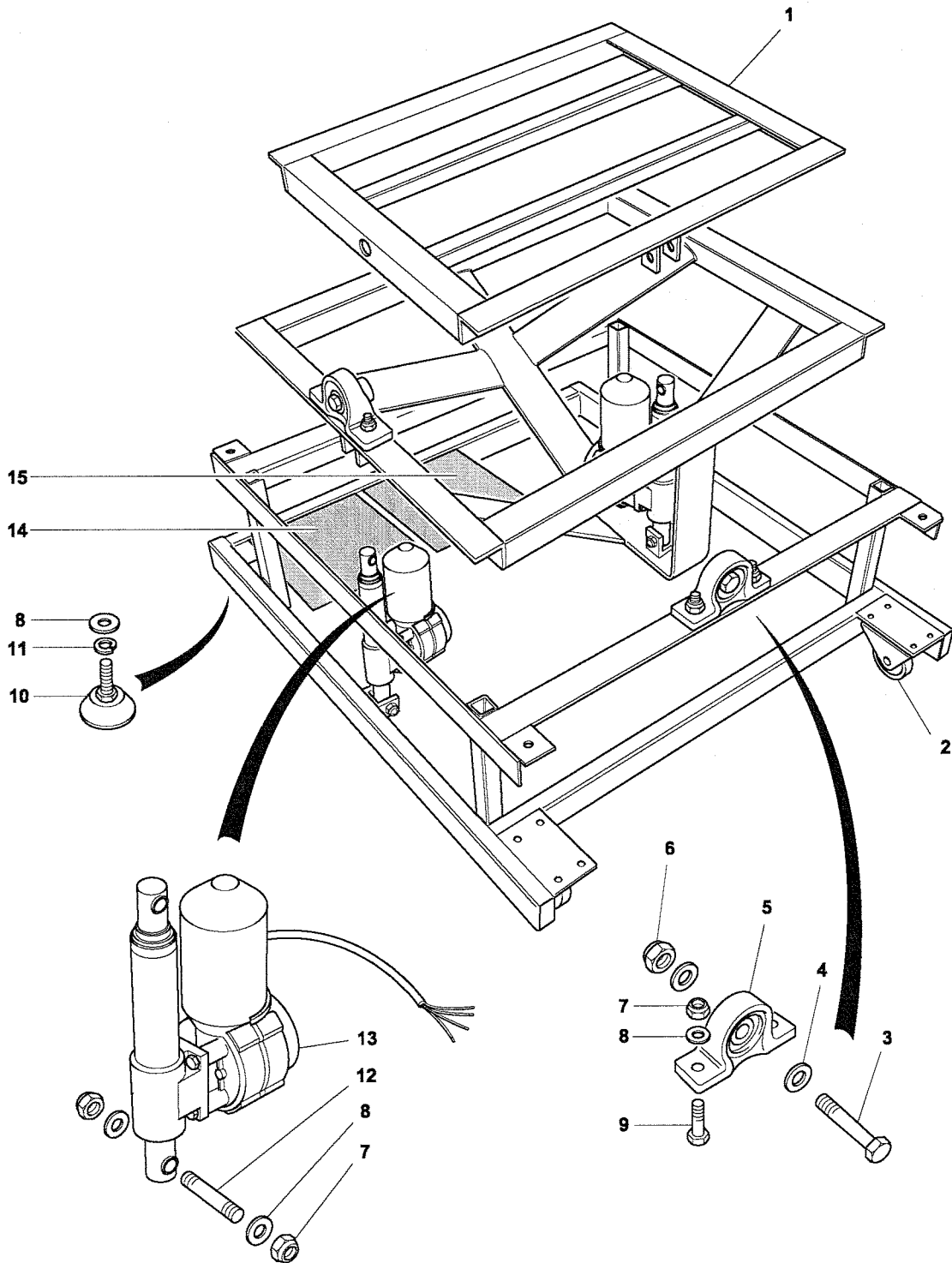


Fig 2 Chassis assembly

JOLLY ROGER AMUSEMENT RIDES

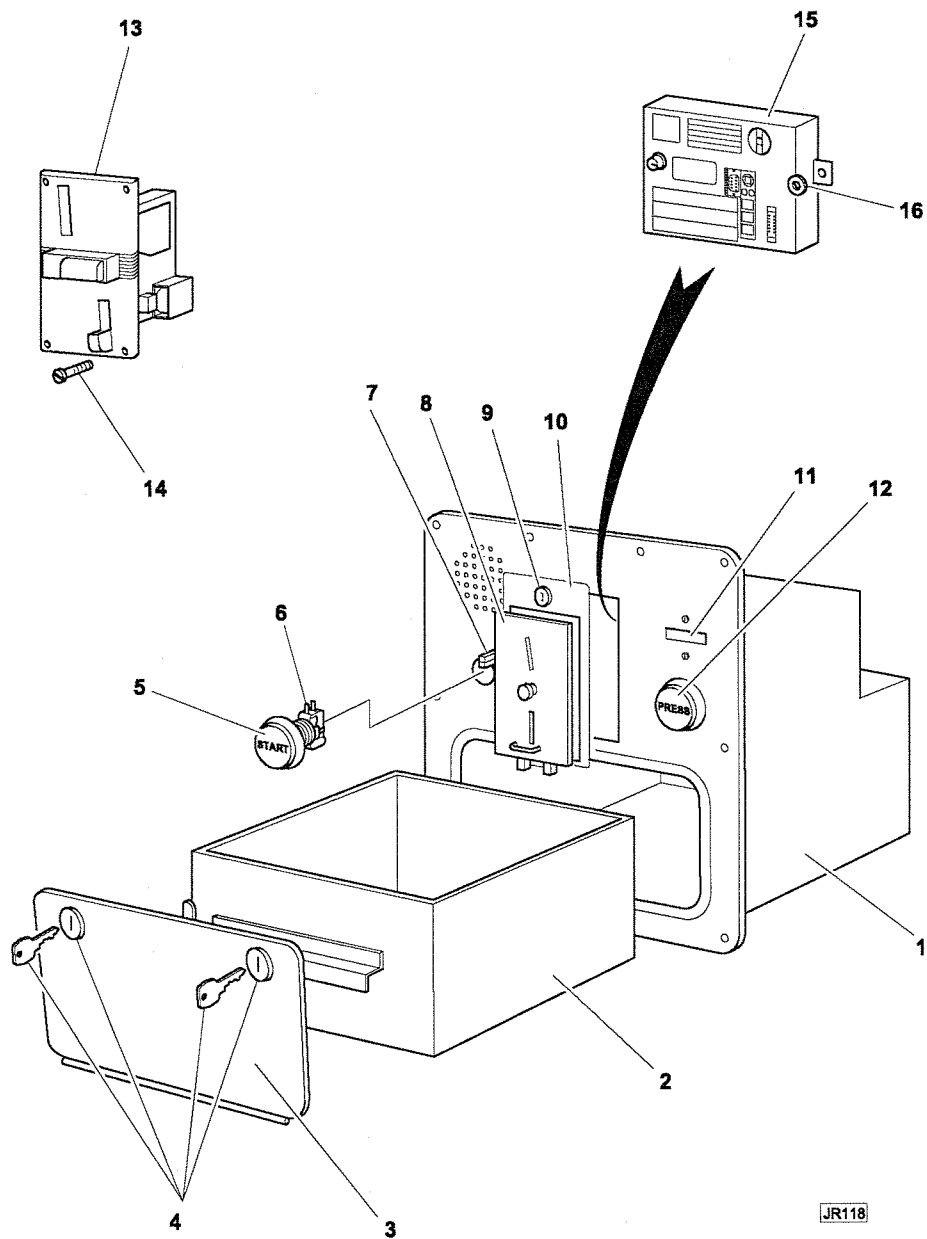
Parts list - Chassis assembly

† Item not illustrated

Item No	Part No	Description	QTY
-	3000019	Chassis assembly, comprising:	-
1	3100005	Chassis	1
-	3100006	Upper frame	1
-	3100007	Middle frame	1
-	3100008	Lower frame	1
2	5120002	Castor	2
3	7000707	Bolt, M12 x 50	8
4	7600300	Washer, M12	4
5	6000000	Housing, bearing assembly, NP12	4
6	7700300	Nut, M12, Nyloc	4
7	7700200	Nut, M10, Nyloc	12
8	7600200	Washer, M10	14
9	7000604	Bolt, M10 x 35	8
10	3800000	Foot, rubber	2
11	7600201	Washer, M10, spring	2
12	8210001	Shaft, pivot	2
13	2000002	Actuator	2
14	JR 14	Power Supply Unit - (System 5000 - 17) (17 inch screen)	1
15	JR 16	Ram Motion Power Supply Unit - System 5000	1

Note: Refer to manufacturer when ordering items from this list

JOLLY ROGER AMUSEMENT RIDES



JR118

Fig 3 Video coin collection assembly

JOLLY ROGER AMUSEMENT RIDES

Parts list - Video Coin collection assembly

† Item not illustrated

Item No	Part No	Description	QTY
-	4000006	Coin collection assembly comprising:	-
1	4100020	Housing	1
2	4100001	Cash box	1
3	4100021	Door	1
4	9300006	Lock complete with keys	2
5	2520008	Switch, pushbutton, round, START, green	1
-	† 2920008	Bulb, 2.2 watt, wedge	1
6	2520010	Microswitch	1
7	2500000	Microswitch, coin acceptor	1
8	4200008	Coin acceptor	1
9	9300004	Lock complete with keys	1
10	4200009	Plate, coin acceptor	1
11	2100009	Counter, coin impulse (fitted internally)	1
12	2520009	Switch, pushbutton, round, PRESS, red	1
-	† 2920008	Bulb, 2.2 watt, wedge	1
-	† 2520010	Microswitch	1
13	4200005	Coin acceptor, electronic assembly (optional) comprising:	1
-	† 4200006	Mechanism, electronic coin acceptor	1
-	† 4200007	Wiring loom, electronic coin acceptor	1
14	7200000	Screw, cap head, M4 x 20	4
15	2100012	Timer, System 5000	1
16	2100013	Nut, timer	2
-	† 2600000	Loudspeaker	1

Note: Refer to manufacturer when ordering items from this list.

JOLLY ROGER AMUSEMENT RIDES

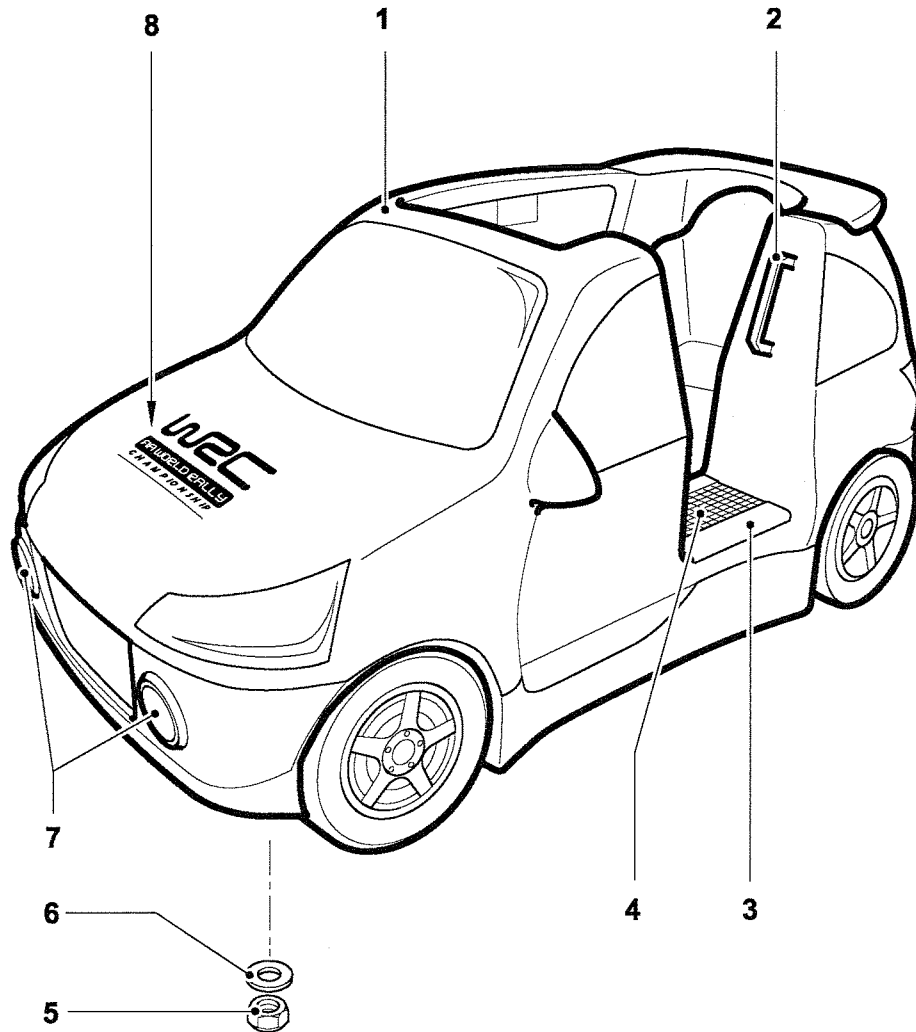


Fig 4 Body shell assembly

JOLLY ROGER AMUSEMENT RIDES

Parts list - Body Shell Assembly

† Item not illustrated

Item No	Part No	Description	QTY
-	1080073	Body shell assembly, comprising:	
1	1100073	Moulding, body	1
2	GR189	Handle, large	1
3	1300002	Step edge	2
4	1300076	Foot tread	1
5	7700200	Nut, M10, Nyloc	4
6	7600200	Washer, M10	4
7		Headlamp assembly, comprising;	2
-	† CA088	Lens	2
-	† EE563	Holder, bulb	2
-	† EE010	Bulb, screw fitting 2.2 watt	2
8	1700073	Decal set	1
-	† 5300001	Steering wheel, small	1
-	† 3600005	Bracket, steering wheel (modified)	1
-	† 7000715	Bolt, M12 x 90	1
-	† 7700302	Nut, M12 special	1

Note: For Video ride equipment refer to Video Ride Equipment Handbook

Note: For coin acceptor and cash box details see video coin collection assembly parts list

Note: Refer to manufacturer when ordering items from this list

JOLLY ROGER AMUSEMENT RIDES

Parts list - Timer/video & ram controllers

† Item not illustrated

Item No.	Part No.	Description	QTY
- †	JR 13	Timer/video control unit - System 5000	1
- †	2900520	S. Video lead	1
- †	2900522	Extended electronic mech. lead	1
- †	2900523	Power supply 120VA transformer	1
- †	2900524	Power supply PCB assembly	1
- †	2900525	Timer/video PCB assembly	1
- †	2900526	12v Cooling fan	1
- †	JR 16	Ram control unit - System 5000	1
- †	2900529	Power supply 160VA transformer	1
- †	2900530	Power supply PCB assembly	1
- †	2900531	Ram controller PCB assembly	1
- †	2900526	12v Fan	1
- †	JR 14	Video power supply unit - System 5000	1

Note: Refer to manufacturer when ordering items from this list

JOLLY ROGER AMUSEMENT RIDES

We certify that we have manufactured and tested the coin-operated Children's Ride in accordance with the BACTA Industry Standard, the HSE Fairgrounds and Amusement Parks A Code of Safe practice, the Health and Safety at Work Act 1974. (All applicable in the United Kingdom).

THIS CERTIFICATE DOES NOT EXONERATE THE OPERATOR FROM REGULAR CHECKING AND MAINTENANCE OF THE MACHINE TO WHICH IT APPLIES.

Jolly Roger (Amusement Rides) Ltd.
Heath Road,
Skegness Industrial Estate,
Skegness,
Lincolnshire,
PE25 3SU,
England.

Telephone (01754) 896800 Telefax (01754) 610066

E-mail: sales@jolly-roger.co.uk

JOLLY ROGER AMUSEMENT RIDES

Jolly Roger (Amusement Rides) Ltd.

Heath Road,
Skegness Industrial Estate,
Skegness,
Lincolnshire,
PE25 3SU
England.

Telephone: + 44 (0)1754 896800

Fax: + 44 (0)1754 610066

E-mail: sales@jolly-roger.co.uk

EC DECLARATION OF CONFORMITY

Manufacturer: As above

Details of Electrical Equipment

Type No.: 2

Description: Coin-operated Childrens Ride

Directives this equipment complies with: Electrical Equipment (Safety) Regulations 1994, SI No3260 (Regulation 5. (1)).
Electromagnetic Compatability Directive 89/336/EEC
Low voltage directive 72/23/EEC (article 2) as amended by 93/68/EEC.

Harmonised standards applied in order to verify compliance with Directives: EN 50081-1:1992
EN 50082-1:1992
EN 60335-1:1994 inc. AMDS A11, A1, A12, A13, A14, A2, A15 and A16 - Safety of Household and Similar Electrical Appliance.
EN 55014-1: 1993 EN61000-3-2:1995 + A1: 1998 + A2: 1998
EN 61000-3-3: 1995 EN55014-2: 1997 Category 2
EN 60335-2-82: 2000 - Particular Requirements for Service Machines and Amusement Machines

Year in which CE mark was affixed: 2004

Authorised Signatory:

Manufacturer

Date of Issue



1st November 2006

Name: Peter North
Position: Factory Manager

Place of Issue
Skegness, England

JOLLY ROGER AMUSEMENT RIDES

THIS PAGE NOT USED